



**CONSOLIDATED
ENERGY**



TAKAGI

CONTINUOUS GAS HOT WATER

The world's most advanced continuous flow gas
hot water heaters

CONSOLIDATEDENERGY.COM.AU



TAKAGI
THE TRUSTED NAME IN CONTINUOUS
FLOW GAS HOT WATER

Endless hot water with 6-star efficiency, world class quality and guaranteed reliability

Hot water on tap 24/7

Compact, inexpensive to purchase and install while delivering hot water on demand, day and night. Takagi continuous flow gas hot water heaters provide one of the most economical and efficient hot water solutions available today.

Unlike traditional hot water storage systems, Takagi continuous gas heaters just heat the water you need when you need it, so naturally, they cost less to run.

Hot water on tap 24/7

Keeping hundreds of litres of water hot in case you want a shower is an expensive business, which is why Takagi's tankless technology and super-efficient operation uses less power for the same water output. The result? Lower power bills and less greenhouse gas emissions than comparable gas or electric storage systems.

World class quality and technology

Takagi is one of the world's leading continuous flow gas hot water heater manufacturers. Cutting edge technology, a commitment to energy efficiency and unrivaled quality combine to keep Takagi at the forefront of the hot water industry. So when you buy Takagi, you know you are buying the best the world has to offer.

Superior efficiency and performance

Takagi continuous flow gas hot water heaters feature state of the art technology and materials to provide superior energy efficiency, performance and long service life. Takagi gas continuous flow heaters are now even more energy efficient with 6-star energy ratings for even lower running costs.

- Hot Flow technology minimises gas usage
- Fast, low cost installation
- 100% solar compatible
- Recess boxes available giving an unobtrusive look
- Can be configured for commercial use. Ideal for caravan parks, aged care facilities, motels and hotels, etc



- Controllers optional. A main controller is needed as master when installing multiple controllers
- Max 1 of each type of controller (max 3 remotes)
- Controllers not suitable for use with solar hot water systems

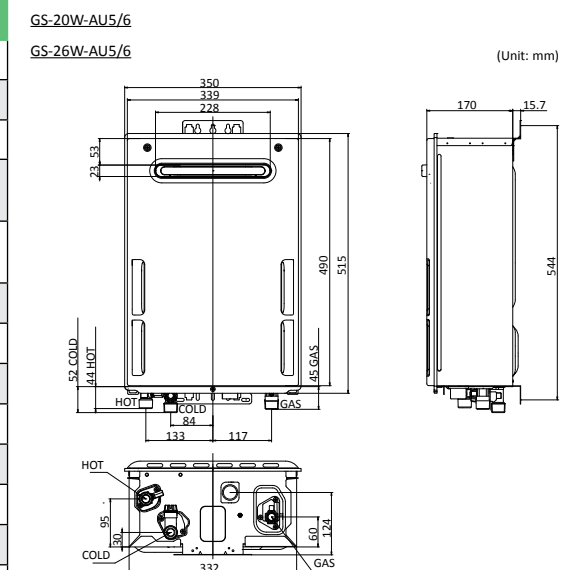
Performance, value and reliability. No wonder the world is switching to Takagi

The benefits of Takagi tankless technology

Takagi continuous gas hot water heaters provide hot water on-demand. The gas burner is only triggered when you turn on a tap. This provides efficient water heating because gas is only used when hot water is required. Gas is not used to maintain stored water or for a pilot light.

- Factory pre-set to 50°C requires no tempering valve
- Compact size - for maximum flexibility in design to suit every installation (houses, apartments and units)
- Available in either Natural Gas or LPG/Propane
- Warranty: 10 year heat exchanger, 3 year parts & labour
- National service and support
- High 6-star energy rating
- 26 and 20 litre minute models. Can be linked to increase capacity
- Electronic remote temperature controllers for accurate setting of the ideal temperature for bathroom and kitchen
- Electronic ignition
- Frost protection

| Physical Dimensions and Characteristics | | | | |
|---|------------------------|------------------------|------------------------|------------------------|
| Takagi Model | GS-20W-AU5/6 | | GS-26W-AU5/6 | |
| Gas Type | Nat. Gas | LPG/ULPG | Nat. Gas | LPG/ULPG |
| Gas Input (MJ/h) | 160 | | 195 | |
| Inlet Pressure (kPa) | 1.13 min./ 5.0 max. | 2.75 min./ 7.0 max. | 1.13 min./ 5.0 max. | 2.75 min./ 7.0 max. |
| Water Supply Pressure (kPa) | 150* min. 1200 max. | | | |
| Height (mm) | 515 | | | |
| Depth (mm) | 170 | | | |
| Width (mm) | 350 | | | |
| Weight (kg) | 15.0 | | 16.0 | |
| Gas Connection (mm) | 20 BSB | | | |
| Water Connections | 20 BSB | | | |
| Ignition | Electronic | | | |
| Electrical Supply (V) | 240 AC | | | |



CONTACT US

CONSOLIDATEDENERGY.COM.AU

VIC

p. (03) 9794 8250

e. vic@consolidatedenergy.com.au

NSW

p. (02) 9625 0915

e. nsw@consolidatedenergy.com.au

QLD

p. (07) 3271 4070

e. qld@consolidatedenergy.com.au

WA

p. (08) 6270 6400

e. wa@consolidatedenergy.com.au

ACT

p. (02) 6260 1455

e. act@consolidatedenergy.com.au